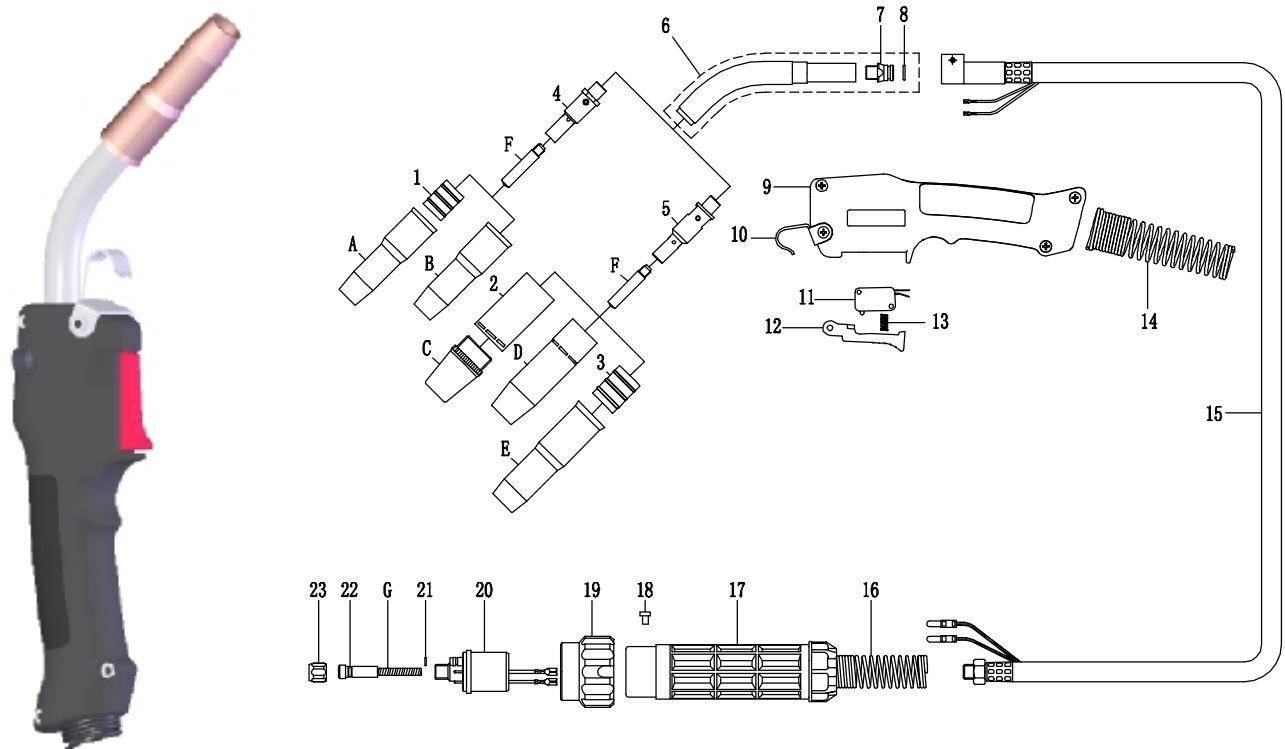


NT2 MIG/MAG Welding Gun

Rating: 200A CO₂ 150A mixed gas, 60% duty cycle. wires: 0.023"-0.045" (0.6-1.2mm).



Model

Description	Part Number		
	10ft	12ft	15ft
Welding Gun c/w Euro Fitting *	NT2-10E	NT2-12E	NT2-15E
Welding Gun c/w Tweco Fitting	NT2-10T	NT2-12T	NT2-15T
Welding Gun c/w Lincoln Fitting	NT2-10L	NT2-12L	NT2-15L
Welding Gun c/w Miller Fitting	NT2-10M	NT2-12M	NT2-15M

Nozzels

Part Number	Description
A 22-50 *	Nozzle Adjustable
22-62	Nozzle Adjustable
B 22-50F	Nozzle Self Insulated
C 24CT50S	Nozzle Fixed Coarse Thread
24CT62S	Nozzle Fixed Coarse Thread
24CT75S	Nozzle Fixed Coarse Thread
D 23-50	Nozzle Self Insulated
23-62	Nozzle Self Insulated
23-75	Nozzle Self Insulated
E 24A50	Nozzle Adjustable
24A62	Nozzle Adjustable
24A75	Nozzle Adjustable

Contact Tips

Part Number	Description
F 14-23	Contact Tip 0.023"/0.6mm Ecu
14-30	Contact Tip 0.030"/0.8mm Ecu
14-35 *	Contact Tip 0.035"/0.9mm Ecu
14-40	Contact Tip 0.040"/1.0mm Ecu
14-45	Contact Tip 0.045"/1.2mm Ecu
14H-35	Contact Tip 0.035"/0.9mm Ecu HD
14H-40	Contact Tip 0.040"/1.0mm Ecu HD
14H-45	Contact Tip 0.045"/1.2mm Ecu HD

* Denotes Standart Build

Components

Part Number	Description
1 32	Adjustable Nozzle Insulator
2 34CT	Nozzle Insulator Coarse Thread
3 34A	Adjustable Nozzle Insulator
4 52	Gas Diffuser
5 52FN	Gas Diffuser
6 62A45J	Jacketed Conductor Tube 45°
62A60J *	Jacketed Conductor Tube 60°
62A45	Conductor Tube 45°
62A60	Conductor Tube 60°
7 TEF2212	Gas Nipple
8 Q508015S	O-Ring 8×1.5
9 TEH2101	Handle
10 TEG2001	Hanger Hook
11 Q711	Switch, OMRON
12 KJ3003	Trigger
13 Q60512	Trigger Spring
14 HS2101	Front Spring Cable Support
15 TEL2010	Cable assembly 10'
TEL2012	Cable assembly 12'
TEL2015	Cable assembly 15'
16 ES2201	Back Spring Cable Support
17 EH2201	Gun Plug Housing
18 EH2211	Screw M4X6
19 EP3001	Gun Plug Nut
20 TEU1001	Tweco Euro Gun Plug
21 Q504010	O-Ring 4×1
22 Q504018	O-Ring 4×1.8
23 TEU1011	Nut M11×1

Liners

Part Number	Description
G 42-3035-15	Steel Liner 0.030"-0.035"/0.8-0.9mm X 15ft
42-4045-15 *	Steel Liner 0.040"-0.045"/1.0-1.2mm X 15ft
42T-3545-15	Teflon Liner 0.035"-0.045"/0.9-1.2mm X 15ft