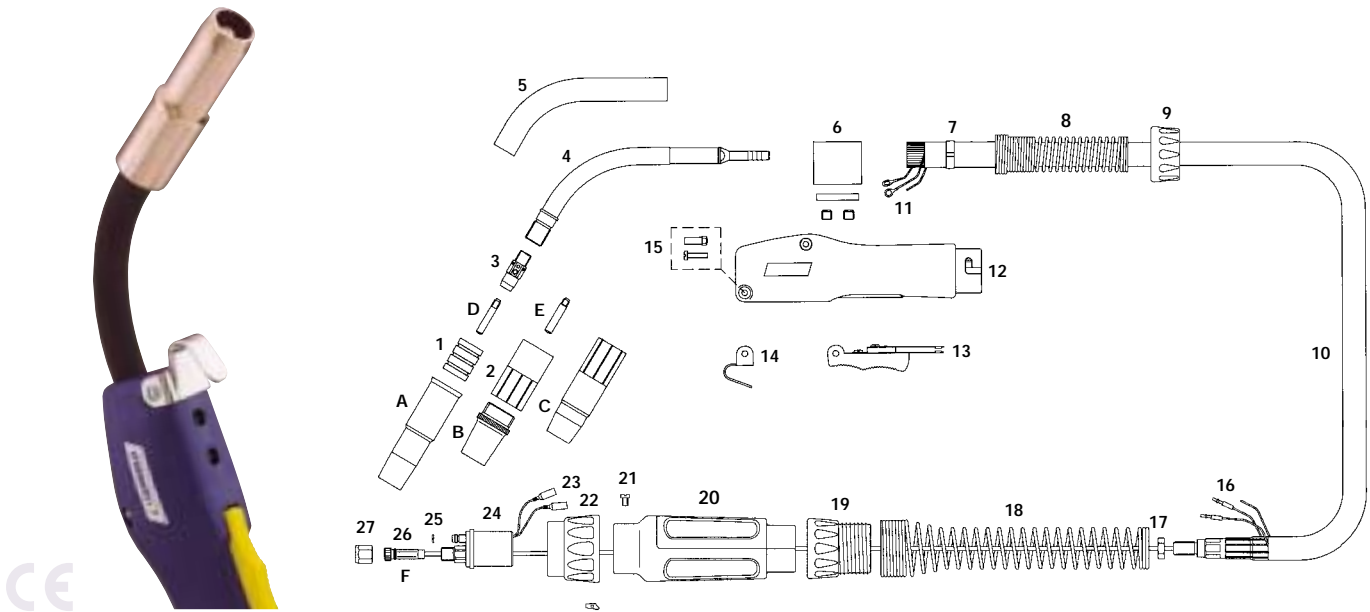


PA No.3 Air Cooled MIG Welding Torch

Rating: 300A CO₂ 250A mixed gas, EN60974-7 @ 60% duty cycle. 0.8 to 1.6mm wires



Model

Description	Part Number		
	10 ft	12 ft	15 ft
Welding Torch c/w Euro Fitting	3-10E	3-12E	3-15E
Welding Torch c/w Tweco Fitting	3-10T	3-12T	3-15T
Welding Torch c/w Hobart Fitting	3-10H	3-12H	3-15H
Welding Torch c/w Lincoln Fitting	3-10L	3-12L	3-15L
Welding Torch c/w Miller Fitting	3-10M	3-12M	3-15M

Nozzles

Part Number	Description
A 24A-50	Nozzle Adjustable
24A-62*	Nozzle Adjustable
24A-75	Nozzle Adjustable
B 24CT-50S	Nozzle Fixed Coarse Thread
24CT-62S	Nozzle Fixed Coarse Thread
24CT-75S	Nozzle Fixed Coarse Thread
C 23-50	Nozzle Self Insulated
23-62	Nozzle Self Insulated
23-75	Nozzle Self Insulated

Contact Tips

Part Number	Description
D 14-35	Contact Tip .035"/0.9mm Ecu
14-40*	Contact Tip .040"/1.0mm Ecu
14-45	Contact Tip .045"/1.2mm Ecu
E 14H-35	Contact Tip .035"/0.9mm Ecu HD
14H-40	Contact Tip .040"/1.0mm Ecu HD
14H-45	Contact Tip .045"/1.2mm Ecu HD

Liners

Part Number	Description
F 44-3545-15*	Liner Conduit .035"-.045"/0.9-1.2mmX15ft
44N-3545-15	Nylon Conduit .035"-.045"/0.9-1.2mmX15ft

Components

Part Number	Description
1 34A*	Adjustable Nozzle Insulator
2 34CT	Nozzle Insulator Coarse Thread
3 54A	Gas Diffuser
4 63-45	45° Conductor Tube
63-60*	60° Conductor Tube
5 74A	Insulation Sleeve
6 102	Block c/w Spacer & Screws
7 132-12	Cable Hose Clamp
8 T8018	Spring Cable Support
9 T8004	Handle Lock Nut
10 300-10E	Hyperflex C/Assy X 10ft Euro
300-12E	Hyperflex C/Assy X 12ft Euro
300-15E	Hyperflex C/Assy X 15ft Euro
300-10	Hyperflex C/Assy X 10ft
300-12	Hyperflex C/Assy X 12ft
300-15	Hyperflex C/Assy X 15ft
11 244T	Control Wire Terminals
12 B82	Handle c/w Screws
13 B92	Trigger Switch
14 152	Hanger Hook
15 122FM	Screw Kit
16 T1522	Cable Terminal Male
17 T1542	Lock Nut
18 T8026	Spring Cable Support
19 B8028	Cable Support Nut
20 X6RC	Gun Plug Housing c/w Nut
21 4M-S	Gun Plug Screw
22 174X-2	Gun Plug Nut c/w Insert
23 35-350-1	Cable Terminal Female
24 174EX-1	Twc Euro Gun Plug Body
25 174EX-1G	Gun Plug 'O' Ring
26 T9001	Liner Nipple 'O' Ring
27 T1577	Liner Retaining Nut

* Denotes Standard Build