



**XC-60 Single Cylinder Heavy Duty Trolley**

# **Installation Instruction**

**Part No: 07001835**

**Manufactured at**



**Certified Facility**

## SECTION 1      PACKING LIST

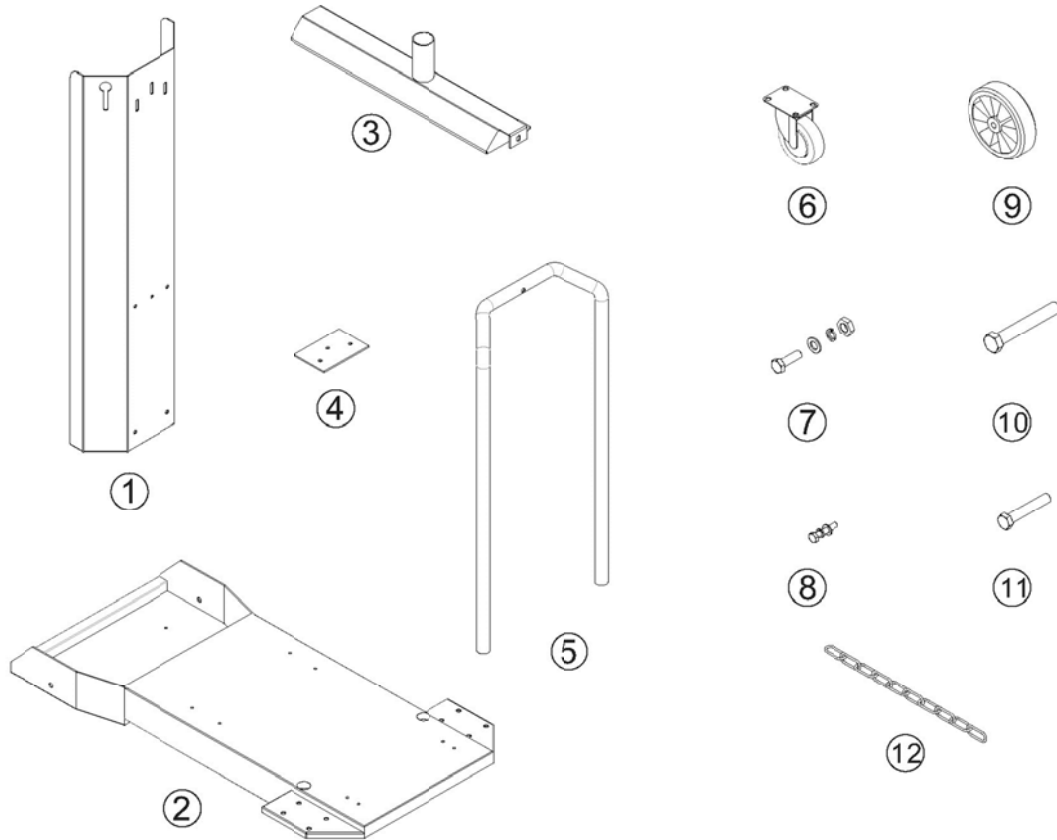


Figure 1.1

No.	Description	Specification	Quantity
1	Gas tank support		1
2	Bottom plate		1
3	Cross beam		1
4	Assembling plate for cross beam		1
5	Steel pillar		1
6	Universal wheel	#4	2

7	7.1	Hexagonal screw bolt	M8x20	10
	7.2	Spring washer	Φ8	10
	7.3	Flat washer	Φ8	20
	7.4	Hexagonal screw nut	M8	10
8	8.1	Hexagonal screw bolt	M6x16	20
	8.2	Spring washer	Φ8	3
	8.3	Flat washer	Φ6	20
9	Wheel		#6 where OD 150MM	2
10	Hexagonal screw bolt		M12x77	2
11	Hexagonal screw bolt		M8x45	1
12	Cylinder chain			1

Table 1.1

# SECTION 2 ASSEMBLE INSTRUCTIONS

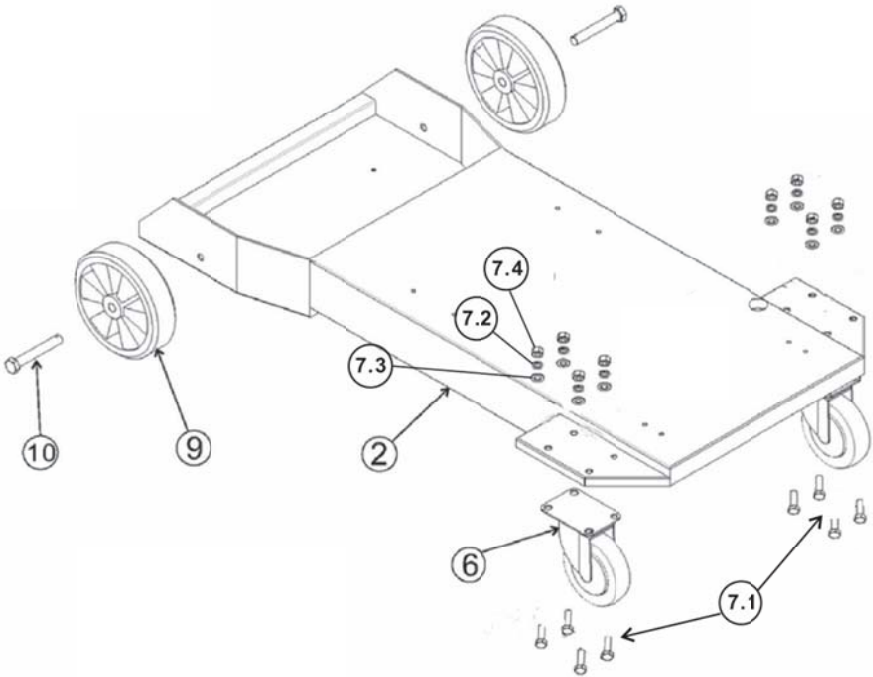


Figure 2.1

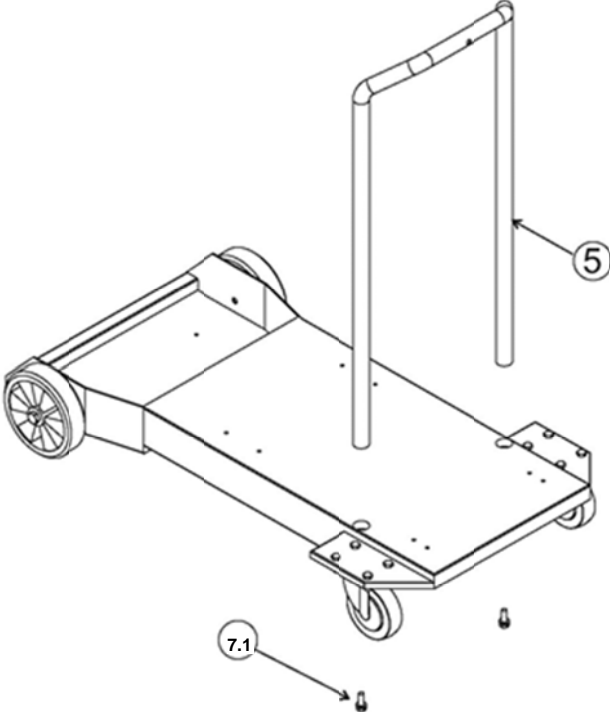


Figure 2.2

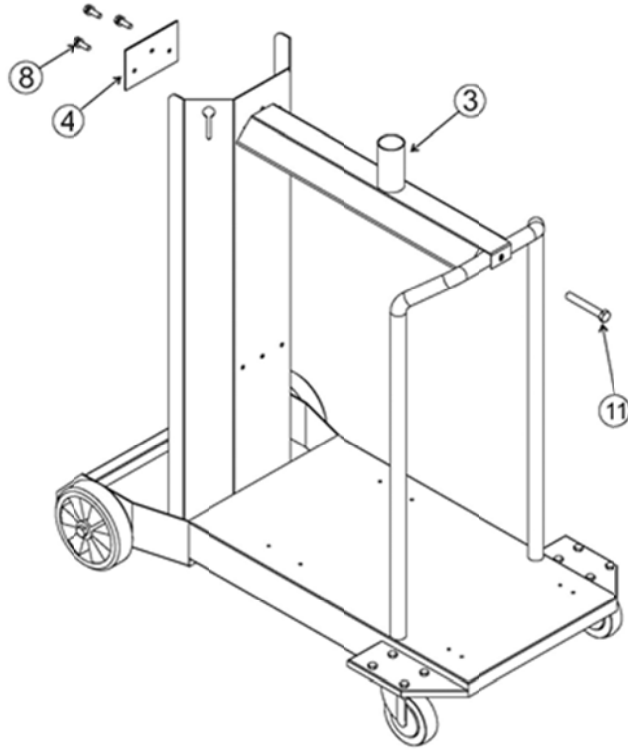


Figure 2.3

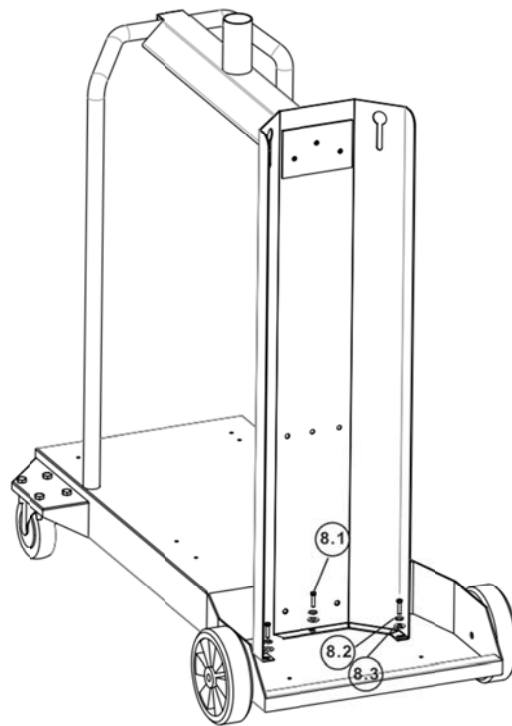


Figure 2.4

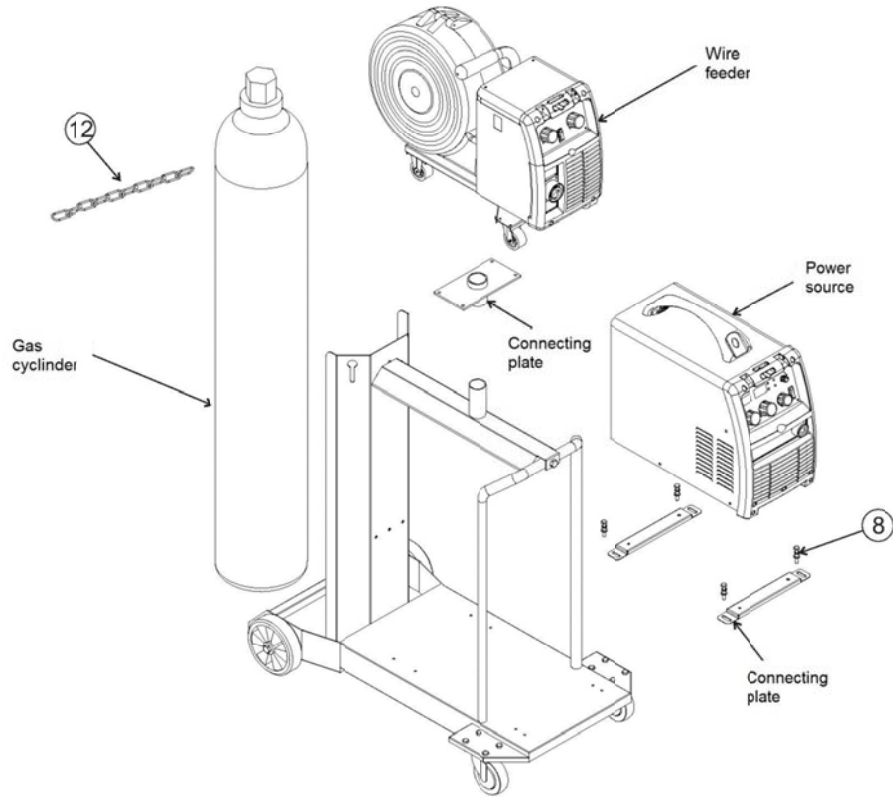


Figure 2.5

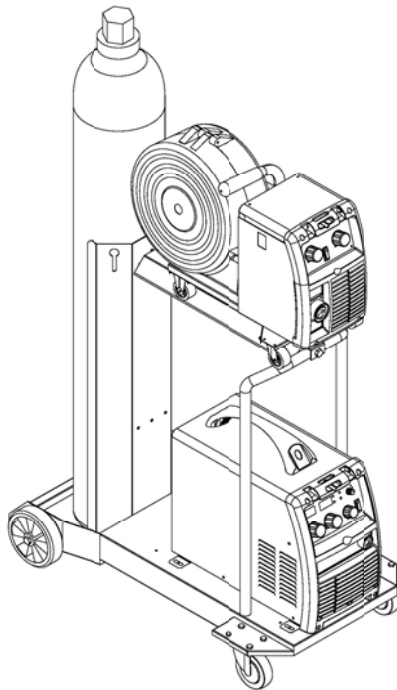


Figure 2.6

**MALO WELDING PRODUCTS LTD.**

**271, Amber Street, Unit#10, Markham, ON L3R 3J7**

**Tel: 1 866 686 5088**

**Fax: 1 866 686 5090**

**[www.weldking.com](http://www.weldking.com)**

**Printed January 19, 2015**